

Link do produktu: <https://sklep.titanrc.pl/xray-300943-t2009-rubber-spec-conversion-set-forward-motor-position-p-3159.html>



## XRAY 300943 T2'009 - Rubber-SPEC Conversion Set - Forward Motor POSITION

Cena brutto	<b>363,03 zł</b>
Cena netto	<b>295,15 zł</b>
Dostępność	<b>Na zamówienie</b>
Numer katalogowy	<b>300943</b>
Kod producenta	<b>300943</b>
Kod EAN	<b>8581703009436</b>
Producent	<b>XRAY Racing</b>

### Opis produktu

Forward motor position conversion set for the T2'009EU and T2R Pro allows for a more forward motor position without changes to the chassis. Set includes top-quality front & rear graphite upper decks, 38T composite solid axle, 38T diff pulley, and forward motor position front & rear belts.

Increases on-power steering, and makes the car turn more easily and precisely.

# FORWARD MOTOR POSITION

## T2'009

EU  
EDITION

## T2R PRO

#300943

FITS FOR T2'009 EU AND T2R PRO

**INCREASES ON-POWER STEERING**

**MORE FORWARD MOTOR POSITION**

**CAR TURNS MORE EASILY AND PRECISELY**

**NO CHASSIS CHANGE REQUIRED**

**INCLUDES:**

38T DIFF PULLEY

FRONT & REAR BELTS

38T COMPOSITE SOLID AXLE

FRONT & REAR GRAPHITE UPPER DECKS





# XRAY

**300943 RUBBER-SPEC CONVERSION SET - FORWARD MOTOR POSITION**

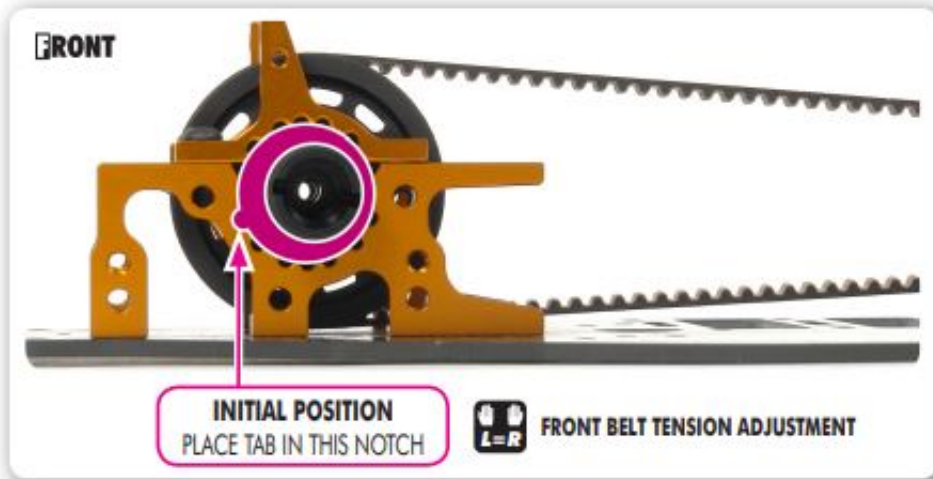
**T2N19** EU EDITION

**T2R PRO**



When the belts are mounted in the car for the first time, they will be tighter than the standard belts. Therefore we recommend you adjust the eccentric bushings so that the belts are slightly looser, though it may happen that the belts still feel a bit tighter. Note that you can also use the #302077 1mm composite hubs for bulkheads to reduce the belt tension. The tension of the belts will not have a negative effect on the car's performance, and the belts will become softer after some run time.





If you have any questions, please do not hesitate to contact XRAY at [info@teamxray.com](mailto:info@teamxray.com) or visit our website at [www.teamxray.com](http://www.teamxray.com) for news and updates.



### 300943 T2'009 - RUBBER-SPEC CONVERSION SET - FORWARD MOTOR POSITION

**INSTRUCTION  
MANUAL**

**T2'009 T2R PRO**  
EU EDITION

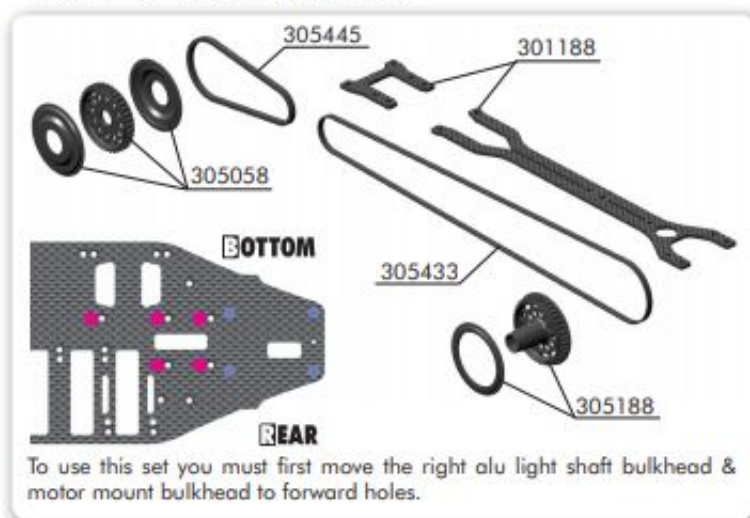
This set fits only the T2'009 EU and T2R PRO.

XRAY presents a conversion set that allows you to move the motor forward on the chassis. The set includes a 38T composite solid axle, 38T diff pulley, front and rear belts (for 38T and 20T pulleys), and new front and rear graphite upper decks.

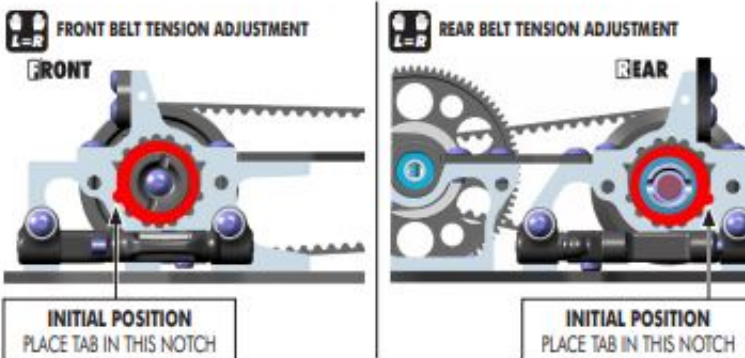
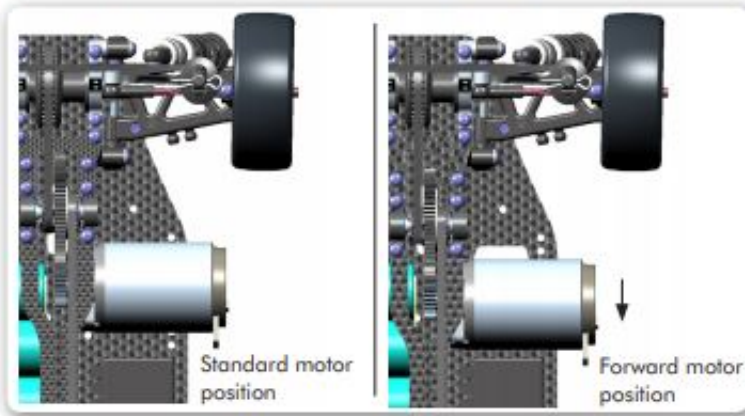
The forward motor position offers different set-up adjustment possibilities, and in some particular conditions will improve car performance. This conversion set is recommended for use on low-traction tracks and tracks with long sweepers.

#### MAIN FEATURES OF THE CONVERSION SET:

- Increases on-power steering
- Makes car turn more easily and precisely



- #301188 RUBBER-SPEC UPPER + REAR DECK 2.0MM GRAPHITE - SHORT
- #305058 DIFF PULLEY 38T WITH LABYRINTH DUST COVERS™
- #305188 COMPOSITE SOLID AXLE 38T - SET
- #305433 HIGH-PERFORMANCE DRIVE BELT FRONT 3 x 501MM
- #305445 HIGH-PERFORMANCE KEVLAR™ DRIVE BELT REAR 3 x 198 MM



**NOTE:** When the belts are mounted in the car for the first time, they will be tighter than the standard belts. Therefore we recommend you adjust the eccentric bushings so that the belts are slightly looser, though it may happen that the belts still feel a bit tighter. Note that you can also use the #302077 1mm composite hubs for bulkheads to reduce the belt tension. The tension of the belts will not have a negative effect on the car's performance, and the belts will become softer after some run time.

If you have any questions, please do not hesitate to contact XRAY at [info@teamxray.com](mailto:info@teamxray.com) or visit our website at [www.teamxray.com](http://www.teamxray.com) for news and updates.